



M5000

TECHNICAL SPECIFICATION

M5000

The Komplet M5000 hammer mill is an electric-powered static crushing machine, it is reliable and provides high-capacity and performance. It features a loading conveyor to feed the hammer mill inlet, and also a conveyor tape for the extraction of the crushed material. It is used for the crushing and recycling glass or asphalt, or any other material that needs to be finely crushed. It is an economical solution for small and medium-sized recycling companies.

1. CRUSHER
2. FEEDER
3. PRODUCT CONVEYOR
4. CONTROL SYSTEM



TECHNICAL DATA

MILL WORKING

Mill dimension
480x300 mm

Adjustment
Bars

Granulometry
0-25 mm

FEEDING: BELT WITH HOPPER

Length
2500 mm

Width
500 mm

Hopper Capacity
0,5 m³

Loading Height
2100mm

EXTRACTING BELT

Length
4000 mm

Width
400 mm

Pile height
1800 mm

CRUSHER ELECTRIC MOTOR

Power
11 kW

Power supply
380/50 V/Hz

Pick up
20/22 kW

PERFORMANCE

Production
20 T/h

Max size
200 mm

Standard weight
1900 kg



ELECTRIC PANEL

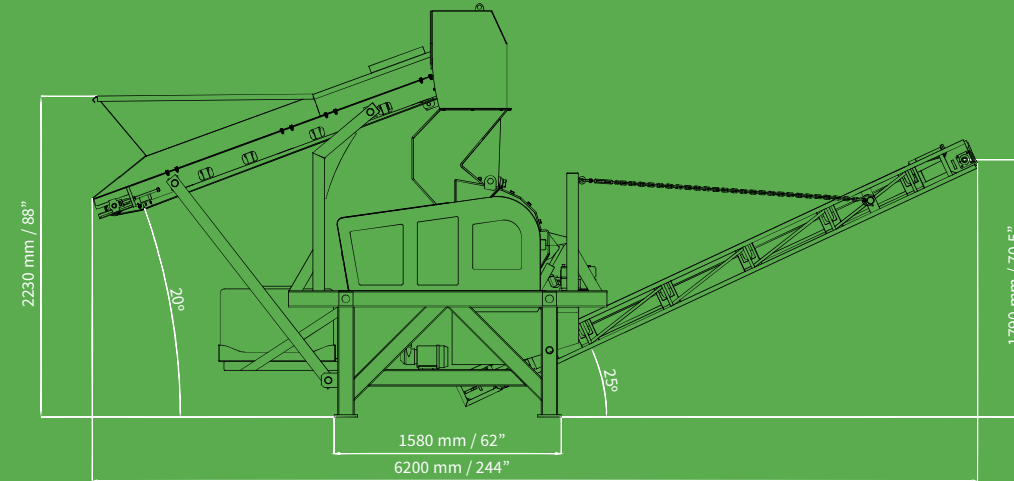
Complete with all controls placed on board.

ACCESSORIES

Dust dumping system.



TRANSPORT DIMENSION & WORKING DIMENSION



WWW.KOMPLET.IT



gcc@groupegaronne.fr

0 806 802 202 Service gratuit
+ prix appel

