



GROUPE GARONNE
FRENCH QUARRY MATERIAL CONSTRUCTOR AND
MANUFACTURER

TECHNICAL DATA



GC 1020

CONVEYOR

Garonne
by Groupe Garonne



Garonne offers 3 mobile conveyors used for high capacity stockpiling operations, They are designed for both material stockpillings and material transfers between two machines whether they are crushers or screeners. Garonne Conveyors are available in 16, 20 and 24 meters.

Garonne Conveyors are usually used for those following applications : aggregates, sand and gravel, coal, iron, wood chips, topsoil, construction and demolition spoil.

FEATURES

Lenght	20 000 mm
Lenght – transport	11 800 mm
Width – transport	2 290 mm
Height	8 000 mm
Height – transport	2 600 mm
Weight	12 250 Kg

CAPACITIES

Stockpile height	1,2 - 3,4m
------------------	------------

CONVEYOR

Conveyor	3 hydraulic ply
Belt width	Ply BT 1000 m
Belt lenght	20 m
Belt spec	3 ply
Ajustable Speed belt	<i>optional</i>

MOTOR AND HYDRAULICS

Conveyor Motor	Motor CAT 45kW (49,5 Hp)
Hydraulic tank	275L
Diesel tank	200L

GROUPE GARONNE

605 chemin de Bordegrosse - Z.A. de Bordegrosse - 31220 MONDAVEZAN, FRANCE

0 806 802 202 Service gratuit
* prix appel – Mail gcc@groupegaronne.fr – Site www.groupegaronne.fr

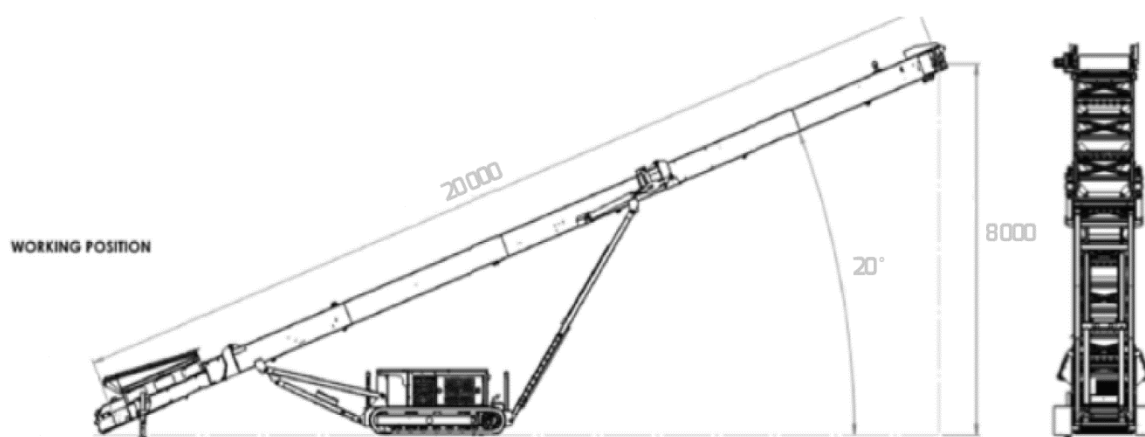
Siret 88377828400017 RCS Toulouse – Code NAF 8211Z

FOR FURTHER CHARACTERISTICS

- Hydraulic folding system on the rear of the conveyor
- Chevron belt
- Double hydraulic drive to increase throughput
- Percussion bars for power
- Variable speed conveyor belt
- Hardox wear plates for the hopper
- Possible extension for the hopper
- Remote control device to drive the machine

GARONNE CONVEYOR ADVANTAGES

- Hydraulic cooler for Caterpillar motor
- Production rate of 100 to 1000 MtpH depending on type of materials, driving and motor power.
- Undercarriage with a remote control to assure the mobility of the machine on the field.
- Hydraulic system designed to assure an optimal performance of the fuel
- Tailored-made options are available to satisfy specific requirements from our clients.
- Interchangeable pieces from one machine to another.
- All models can be carried on low-boy trailers or in High-Cube containers.



All above specifications listed, given by the constructor are current as of this printing, but are subject to change.

GROUPE GARONNE

605 chemin de Bordegrosse - Z.A. de Bordegrosse - 31220 MONDAVEZAN, FRANCE

0 806 802 202 Service gratuit
* prix appel – Mail gcc@groupegaronne.fr – Site www.groupegaronne.fr

Siret 88377828400017 RCS Toulouse – Code NAF 8211Z



GRUPE GARONNE

605 chemin de Bordegrosse - Z.A. de Bordegrosse - 31220 MONDAVEZAN, FRANCE
0 806 802 202 Service gratuit
* prix appel – Mail gcc@groupegaronne.fr – Site www.groupegaronne.fr
Siret 88377828400017 RCS Toulouse – Code NAF 8211Z